



NATIONAL METAL SHAPES, INC.

425 S. SANDUSKY STREET

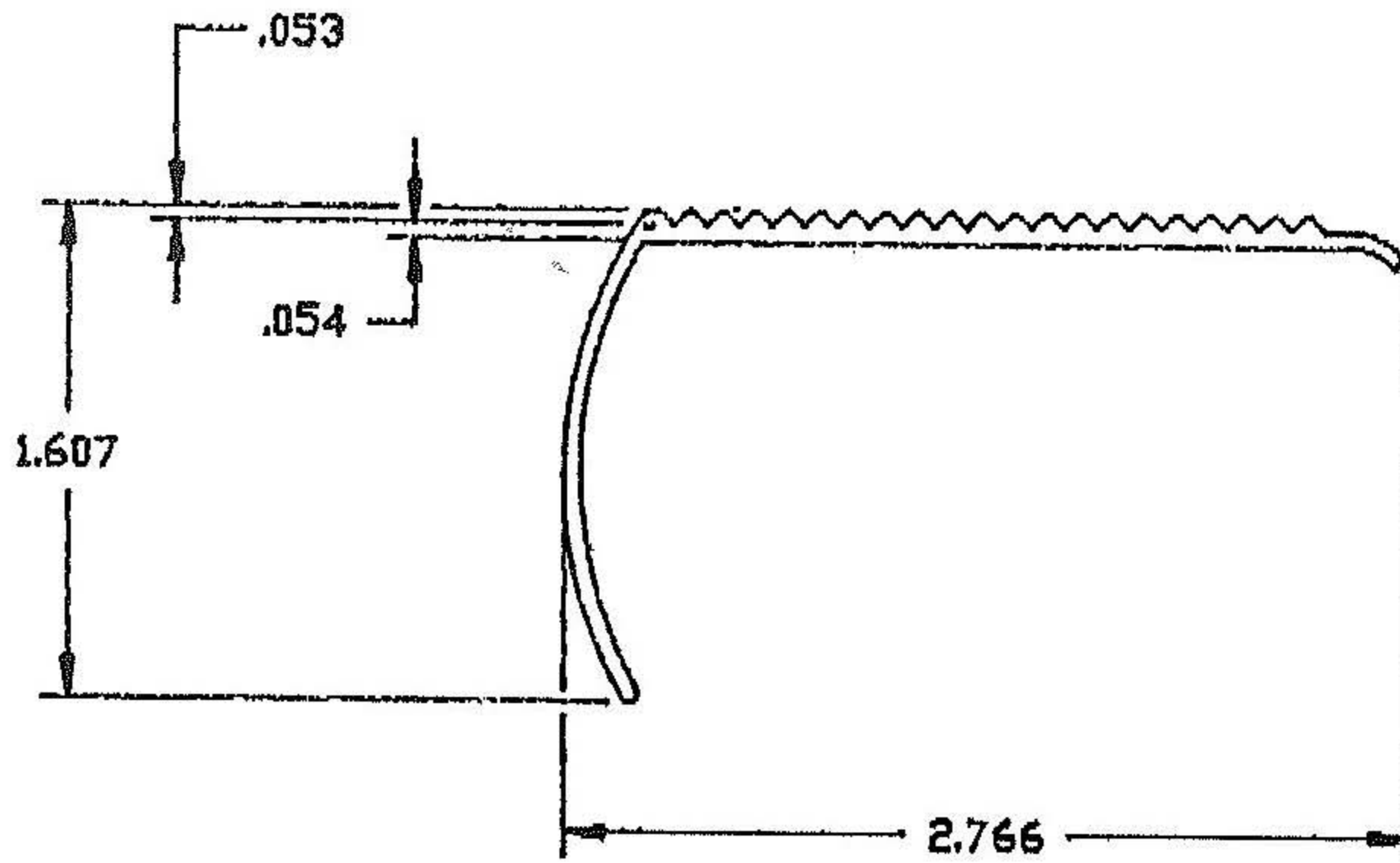
DELAWARE, OHIO 43015

(740) 363-9559

(800) 837-9559

FAX (740) 363-3000

451



Item #: 451

Description: Stair Nose, 2 1/2" Tread, 12' Long

Material: Aluminum - Non-Hammered and Colonial Finishes

STANDARD TOLERANCES FOR EXTRUDED SHAPES APPLY UNLESS OTHERWISE SPECIFIED